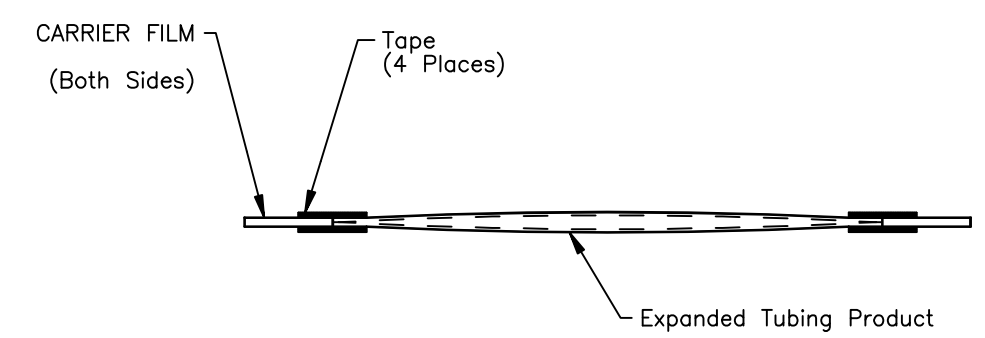
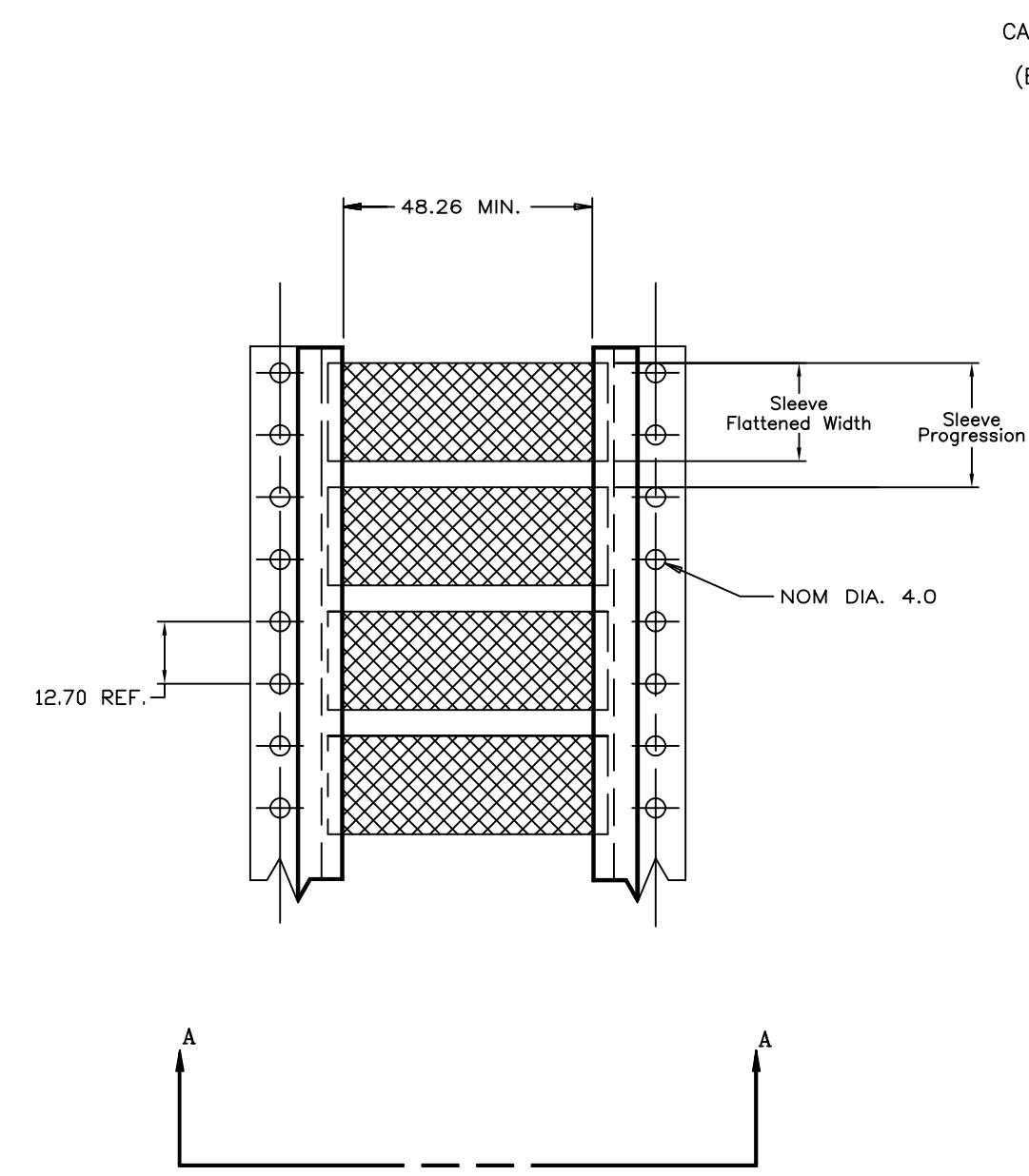


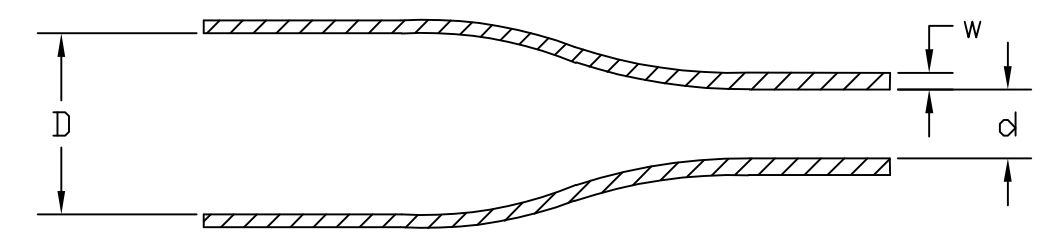
THIS DRAWING IS UNPUBLISHED. RELEASED FOR PUBLICATION
 © COPYRIGHT - By - ALL RIGHTS RESERVED.

LOC	DIST	REVISIONS			
P	LTR	DESCRIPTION	DATE	DWN	APVD
	E	CUSTOMER DRAWING CREATED	18DEC2013	AFK	MA



SECTION A - A

Product Size	3/32	1/8	3/16	1/4	3/8	1/2	3/4	1	1-1/2	2	2-1/4
Nominal Size	3/32	1/8	3/16	1/4	3/8	1/2	3/4	1	1-1/2	2	2-1/4
Nominal Sleeve Flattened Width	4.70	6.22	8.38	11.05	15.88	21.08	31.12	41.40	61.34	81.28	90.17
Nominal Sleeve Progression	12.70	12.70	12.70	16.94	25.40	29.64	42.34	50.80	71.96	101.60	101.60
"D" Minimum Supplied I.D.	2.39	3.43	4.75	6.48	9.53	12.70	19.05	25.40	38.10	50.80	57.15
"d" Maximum Recovered I.D.	0.79	1.07	1.57	2.11	3.18	4.22	6.35	8.46	19.05	25.40	28.57
"w" Recovered wall (±0.08)	0.58	0.58	0.58	0.58	0.58	0.61	0.61	0.64	0.51	0.64	0.76



THIS DRAWING IS A CONTROLLED DOCUMENT.		DWN AFK	08NOV2013	STE TE Connectivity	
DIMENSIONS: mm		CHK -	APVD -		
TOLERANCES UNLESS OTHERWISE SPECIFIED:		PRODUCT SPEC		NAME	
0 PLC ± -		APPLICATION SPEC		TMS-SCE METRIC DRAWING	
1 PLC ± -		RESTRICTED TO		SIZE	
2 PLC ± -		WEIGHT		CAGE CODE	
3 PLC ± -		CUSTOMER DRAWING		DRAWING NO	
4 PLC ± -		SCALE 1:1		SHEET 1 OF 1	
ANGLES ± -		REV E		A3 06090 C-MCD160002	
FINISH -					
MATERIAL CROSSLINKED POLYOLEFIN					